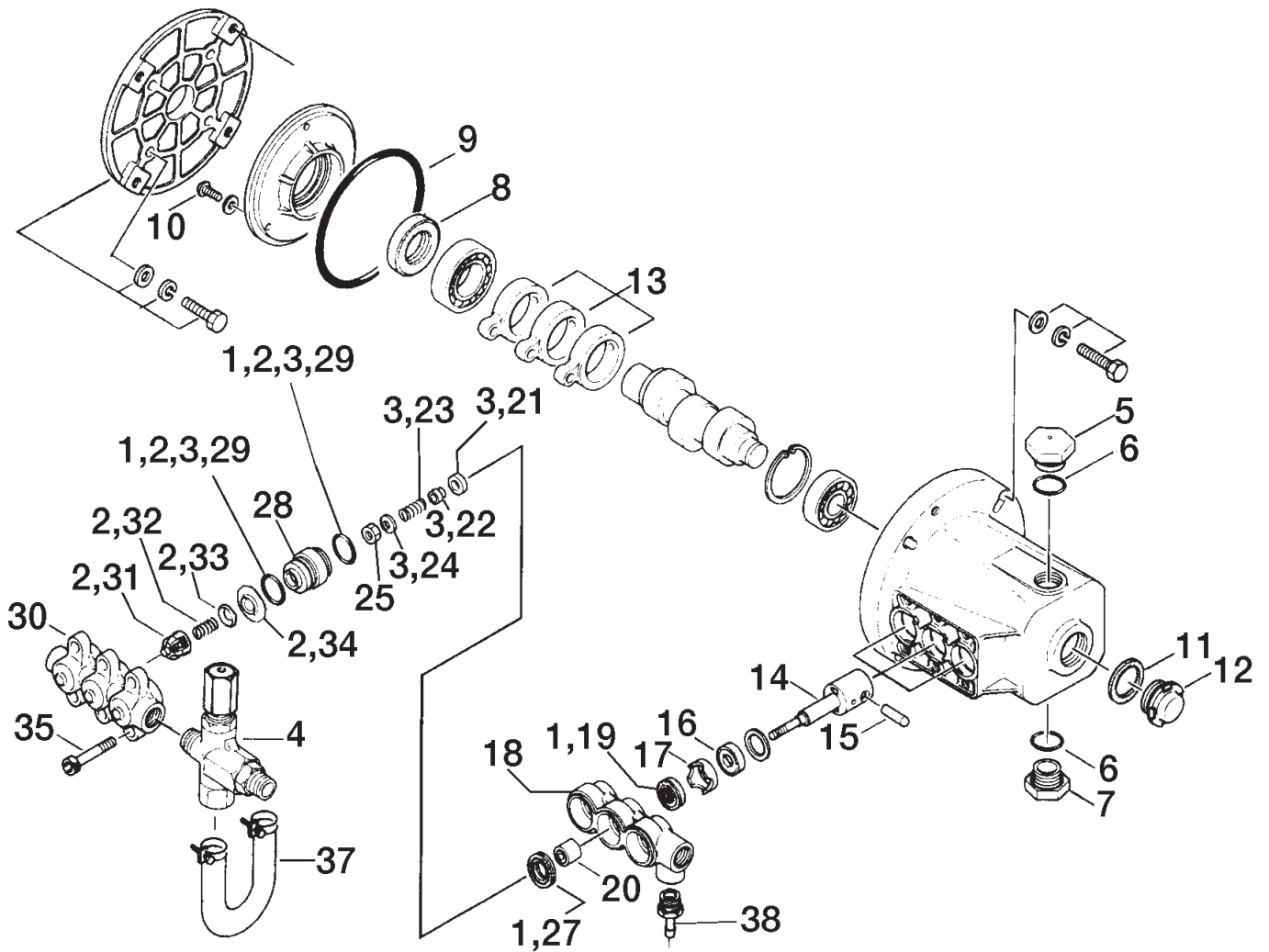
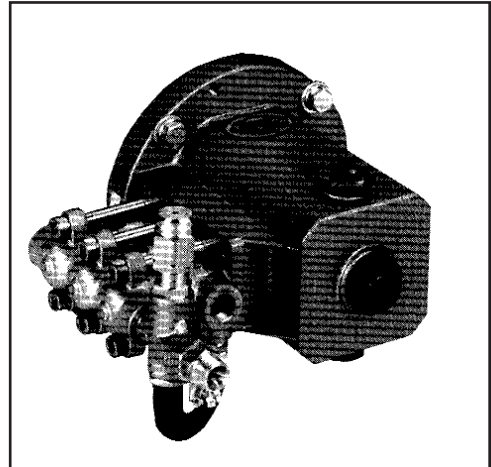


PK17667 - PUMP, CAT



PK17667 - PUMP, CAT PARTS LIST

Key#	Part #	Description
1	15667	Seal Kit
2	P142	Valve Kit
3	15048	Inlet Valve Kit
4	CA7627	Unloader
5	P260	Oil Fill Cap
6	P186	Oil Fill Cap O-ring
7	15474	Drain Plug
8	P555	Oil Seal (use 3)
9	P566	Bearing Case O-ring
10	CA89551	Phillips Hex Head Screw
11	P262	Oil Gauge Gasket
12	P265	Bubble Oil Gauge
13	CA542951	Connecting Rod
14	CA542958	Piston Rod
15	15538	Piston Rod Pin
16	P120	Oil Seal
17	15513	Seal Retainer
18	P686	Brass Inlet Manifold
19	P385	Lo Pressure Seal
20	P559	Plunger, Porcelain
21	P634	Inlet Valve
22	15514	Spacer
23	P684	Inlet Valve Spring
24	15490	Conical Washer
25	CA81240	Hex Nut (M6)
27	P122	Hi Pressure Seal
28	15671	Discharge Valve Spacer
29	CA26089	Adapter O-ring
30	P45	Discharge Manifold
31	15668	Valve Spring Retainer
32	CA541062	Discharge Valve Spring
33	P109	Discharge Valve
34	P676	Discharge Valve Seat
35	15509	Hex Socket Hd Screw, 5/16-20x4.5
37	CA46140	By Pass Hose
38	CA45868	Barb, Pump Inlet (1/4" Hose x 1/4" NPT)

General Information:

- 30W-non detergent-8.5 oz.
- CA7233 Chemical Injector
- Pump kit is for P2SFX30GSZ-kit contains: 17667 pump, F035 quick connect, 15531 Adapter Plate, 16848 Thermal Relief Valve, 17034 Tee Street (3/8" NPT), H061 Swivel Nut, 17701 Swivel, P448 Key, H100 Chemical Hose, Hardware for adapter plate to engine-F107 (qty4) 3/8" Lock Washer, 16106 (qty 4) Screw, 3/8-16 x 1-3/8", Hardware for Pump to Adapter Plate-15167 (qty 4) Screw, 5/16-24 x 3/4", F078 (qty 4) 5/16" Lock Washer

PK17667 - PUMP, CAT REPAIR LIST

15667 Water Seal Kit

Note: The cotter pins in this kit are optional.



P142 Valve Kit



15048 Inlet Valve Kit

Note: The cotter pins in this kit are optional.

